



Kiran TECHNO SERVICES
PRIVATE LIMITED



KIRAN ENDOSCOPY



www.kiransurgicalsystems.com
www.kiranmedicareequipments.com

STORK ENDOSCOPY CO.

Company Profile



Company

products involving medical Endoscope, Lacteal peaceful, Thoracic, Gynecology, Urology, Ent, Orthopedic etc. Varieties

and specifications, novel style, quality is reliable. And for the new old customer customize various special usage and maintenance of medical instrument and the production of Endoscopic and surgical instruments. To provide us with fine quality and reliable service as always, the logistics system.

The company's products in the various provinces, municipalities and autonomous prefectures and clinical trial by experts, won acclaim, believed to be comparable with the same products abroad.



Delhi : A - 39, Street No.5, Chander Industrial Estate, I.P Extension, Delhi - 110 092
Gujarat : 308/4, GIDC Estate, Makarpura Industrial Estate, Baroda – 390 010,
Andhra Pradesh : No. 6-5-351/5, Astal Heights, Road No. 1, Banjara Hills, Hyderabad – 500 034
Tamil Nadu : No.33-B4, Sidco Industrial Estate Phase - II, Sundarapuram, Coimbatore - 641 021
Kerala : 333/9, Para Road, Near NIDA, Kanjikode, Palakkad - 678 621
Helpline : +91 9751725000, +91 9751625000, + 91 9751425000, + 91 9751215000, + 91 9751245000
Email : kirangroup108@gmail.com, kiranindia108@gmail.com, kiranbiz108@gmail.com
Website : www.kirangroupofcompanies.com, www.kiran.biz, www.kiranshop.in, www.kiranindia.in, www.kiransurgicalsystems.com, www.kiranmedicareequipments.com, www.kiranpump.com, www.kiransolarsystems.com, www.kiranled.com, www.kiranincinerationsystems.com www.kiranequipments.com, www.kirancompressors.com, www.kiranappliances.com www.kiranairventilators.com, www.kiranfrpproducts.com, www.kiranpebsystems.com, www.kiranpanels.com, www.kiranfabssystems.com

Instruments

Laparoscope instruments

- Instrument to unload 1
- Laparoscope 1
- Clip applicator, T1 clip 2
- Hem-o-lok 2
- Needle-holding forceps 3
- Double-electrode forceps 4
- Electrode instruments, Baffle, Pull, Sping grasping forceps 5
- Suction&irrigation tube, Bile duct knife, neele 6
- Spreader 7
- Three joint instruments 7
- Tow joint instruments 8
- Other instruments 9
- Scissors,Dissecting forceps 10
- Other forceps 11
- Other forceps 12
- Other forceps 13
- Trocar,Reducer 14
- Single-hole(After umbilical) 15
- Single-hole(After umbilical) 15
- Single-hole(After umbilical) 16
- Single-hole(After umbilical) 16
- Miniature instruments for Laparoscopic surgery 17
- Instruments for small Incision operation 17
- Instruments for Thoracoscopic surgery 18
- Thyroid operating instruments 18
- Instruments of Biliary tract fetch 18

Gynaecology

- Electric uterus-cutter 19
- Instruments of Gynaecology Laparoscope 20
- Uterus-cutter (process vagina) 21
- Hysteroscope 21
- Cavitas inspectoscope 21
- Hysterp Resectoscope 22

Instruments for Urological Department

- Cysto-Urethroscope 22
- Lithotriposcope 23
- Urethrotome Telescope 23
- Intrument of foreskin ring ligator 23

Intruments for E.N.T Department

- Sinoscope 24
- Nose electric-drill 24
- Hold Laryngoscope 25
- Esophagoscope instruments 25
- Otoscope instruments 25
- Bronchoscope 26

Intruments for Orthopaedics

- Arthroscop instruments 26
- Endoscope Discectomy System 26

Intestine department

- CJ-1 Sigmoidoscope 27
- CJ-2 Rectoscope 27
- CJ-3 Sigmoidoscope 27

Other equipments

- Endoscope display systems 28
- cold light source 28
- insufflator 28
- high frequency electric-cutter 28
- Irrigation pump hysteroscope 28
- E.N.,T therapeutic equipments 28
- Simulate n. Maneuvering 28
- Suction & Irrigation apparatus 29
- pUMP 29
- Cleaning device for instruments 29
- Suction cutter..... 29

Operation table

Obstetric table

- CC-A Multifunction obstetric table 30
- 3004 Multi-purpse obstetric table 31
- 78A Multi-purpse obstetric table 31
- DS-8 Electric multi-purpse obstetric operation table 32
- DS-3004(check type)Electric multi-purpse obstetric table 33
- Model DS-3004 Electric multi-purpse obstetric table 33
- Multi-purpse obstetric table 34
- Fs common obstetric table 35

Operation table

- DT-2A(translational type)Multi-purpse operation table 36
- DT-12C Electric operating table 37
- DT-12E Electric operating table 38
- DT-12E Electric operating table 39
- DT-12F Electric operating table 40
- Luxury multifunctional operating table 41
- 3001 Side operating universal table 42
- Head operating universal table 43
- JT-SA, JT-2A(translational type)Multi-purpse operation table 44
- PT Ordinary operation table 45

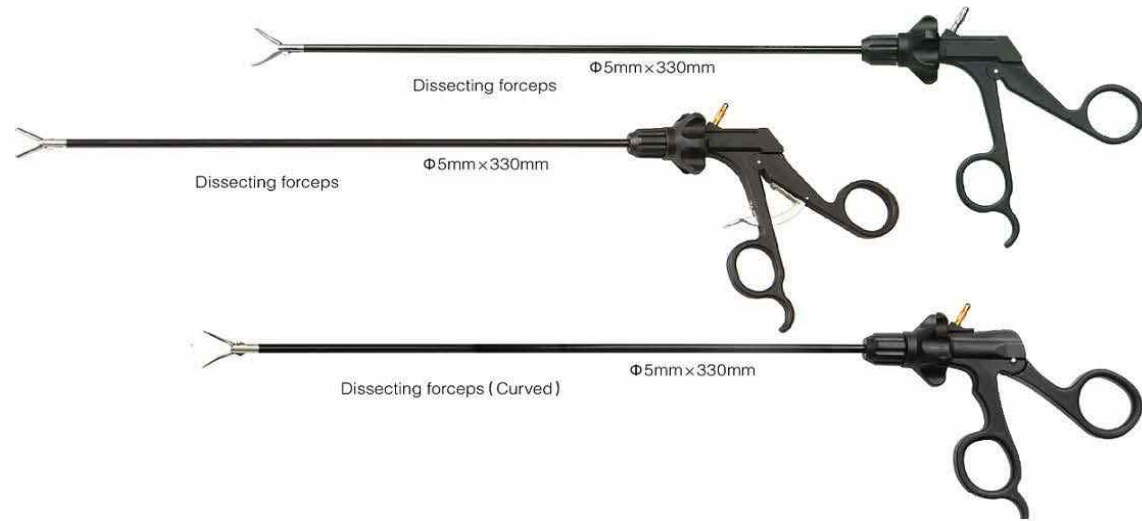
Sterilizer equipment

- Ethylene oxide sterilizer 46
- Brief information&Products 47
- Products 48
- Products 49

Other

- Wound care products 50
- External fixation products 50
- Operating room products 51
- New products 51

Instrument to unload



Laparoscopes

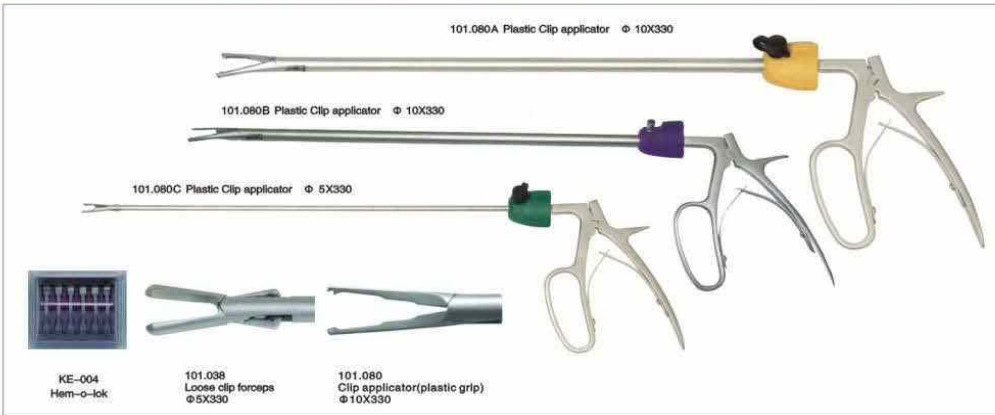
Autoclavable



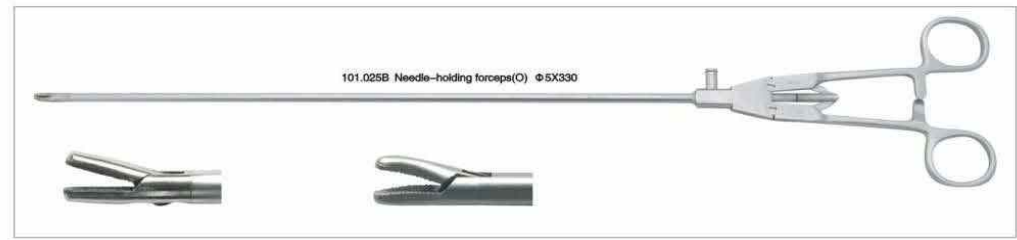
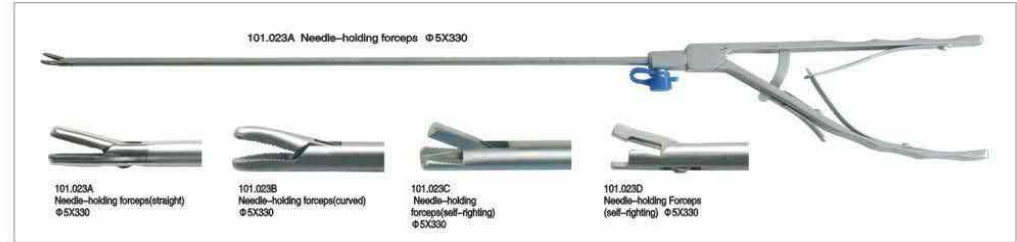
Clip applicator.TI Clip



Hem-o-lok



Needle-holding Forceps



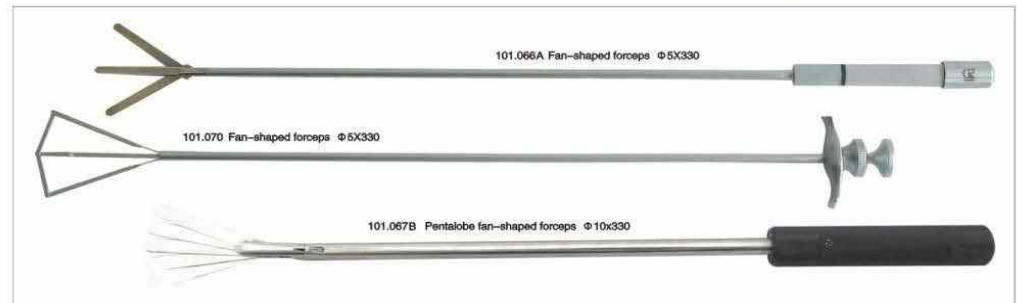
Double-electrode forceps



Electrode instruments



Baffle, Pull



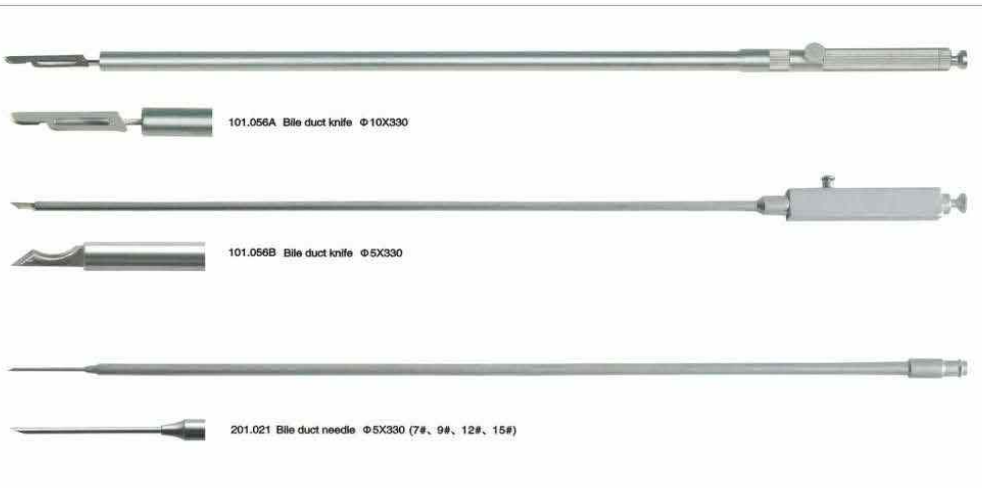
Spring grasping forceps



Section & Irrigation tube



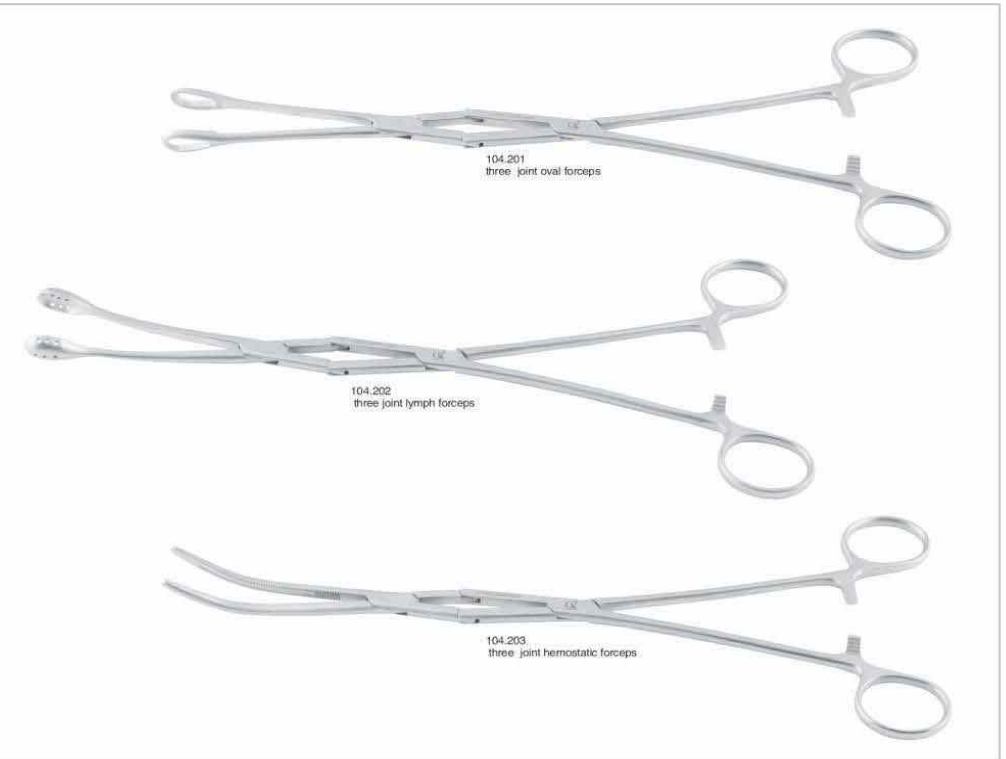
Bile duct knife Bile Duct Needle



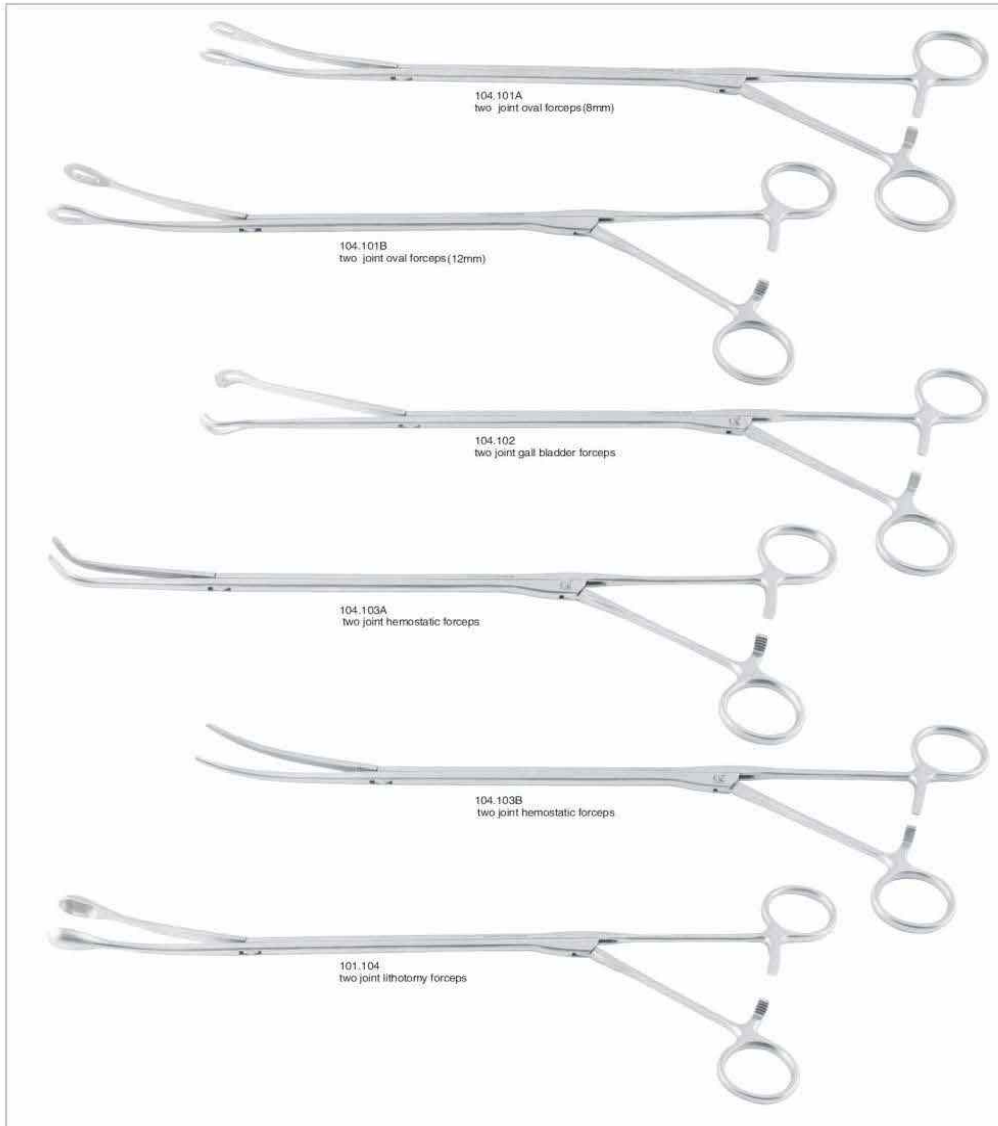
Spreader



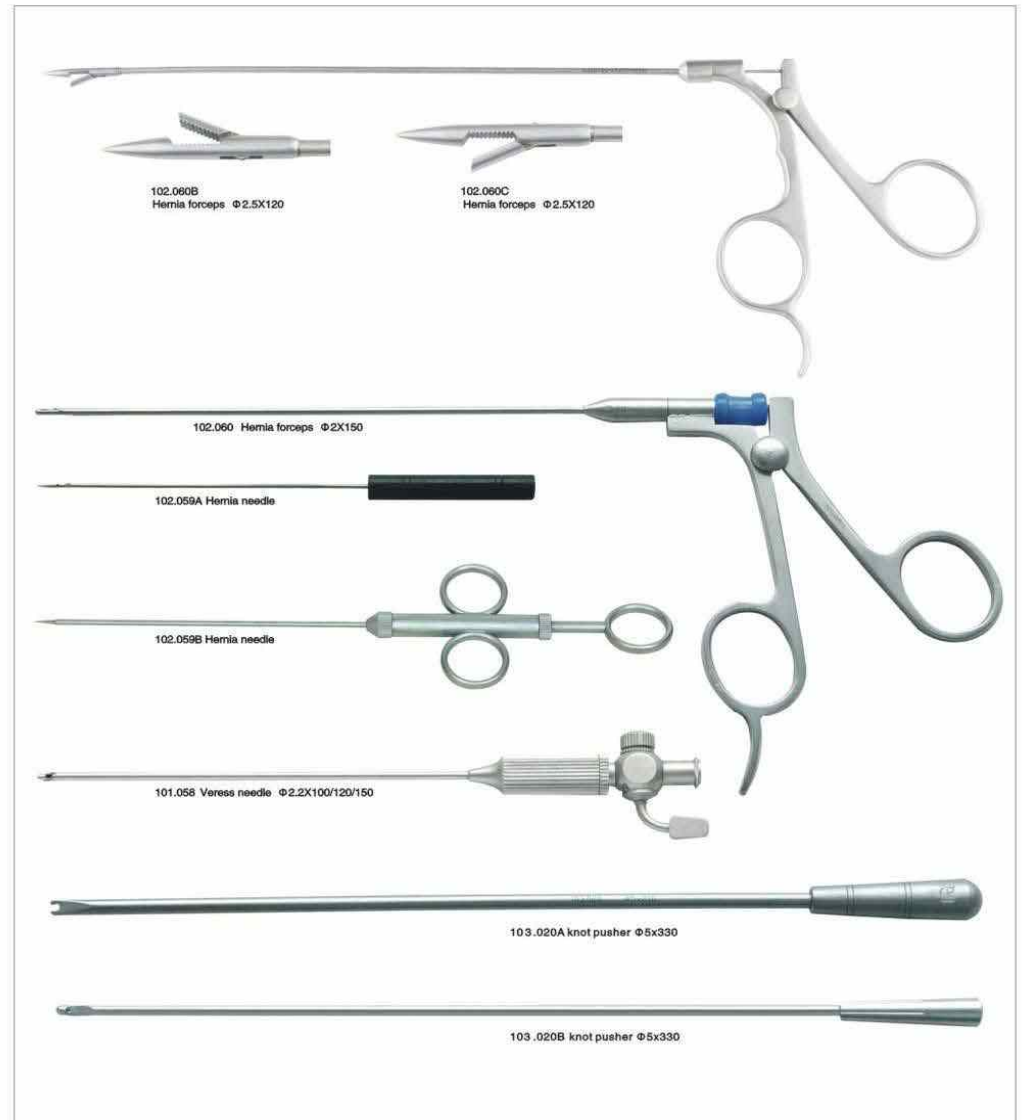
Three joint instruments



Two joint instruments



Other instruments



Scissors Dissecting forceps



Other forceps



Other forceps



101.101B
Fixed grasping forceps
Φ5X330



101.101C
Fixed grasping forceps
Φ5X330



101.102A
Stomach grasping forceps
Φ5X330



101.102B
Stomach grasping forceps
Φ5X330



101.103
Non-destructive grasping
forceps
Φ5X330



101.103B
Non-destructive grasping
forceps
Φ5X330



101.104
Octopus grasping forceps
Φ5X330



101.105
hook forceps
Φ5X330



Other forceps

Φ 10mm



101.006B
Sleepy forceps Φ 10x330



101.006
Grasping forceps Φ 10X330



101.006B
Grasping forceps Φ 10x330



104.003
Fastress forceps(thick tooth)
Φ 10X330



104.004
Broadness mouth forceps
Φ 10X330



104.006
Atraumatic forceps
Φ 10X330



104.007
Grasping forceps (long-jaw)
Φ 10X330



104.009
Duck-jaw forceps
Φ 10X330



101.007A
Intestinal forceps Φ 10x330



101.076A
Lung lobe forceps Φ 10X330



101.079
Target forceps
Φ 10X330



101.090
Suture forceps Φ 10x330

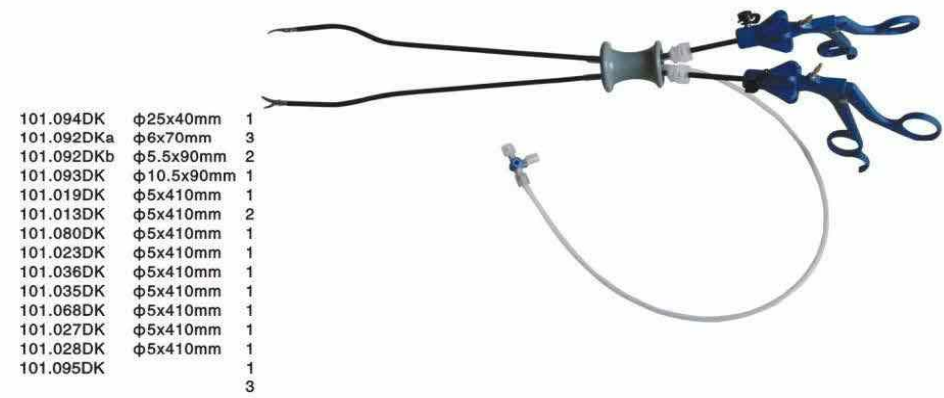


101.007B
Intestinal forceps Φ 10x330

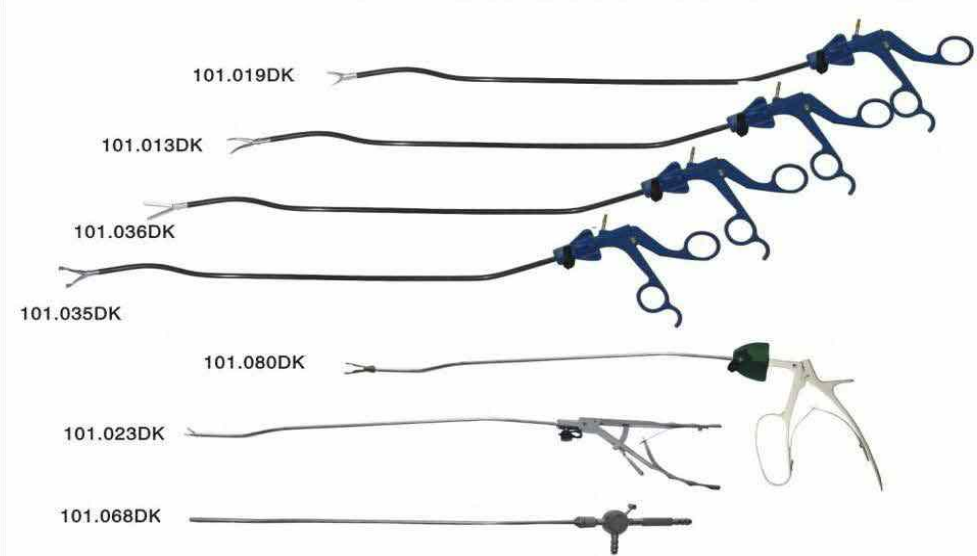
Trocar, Reducer



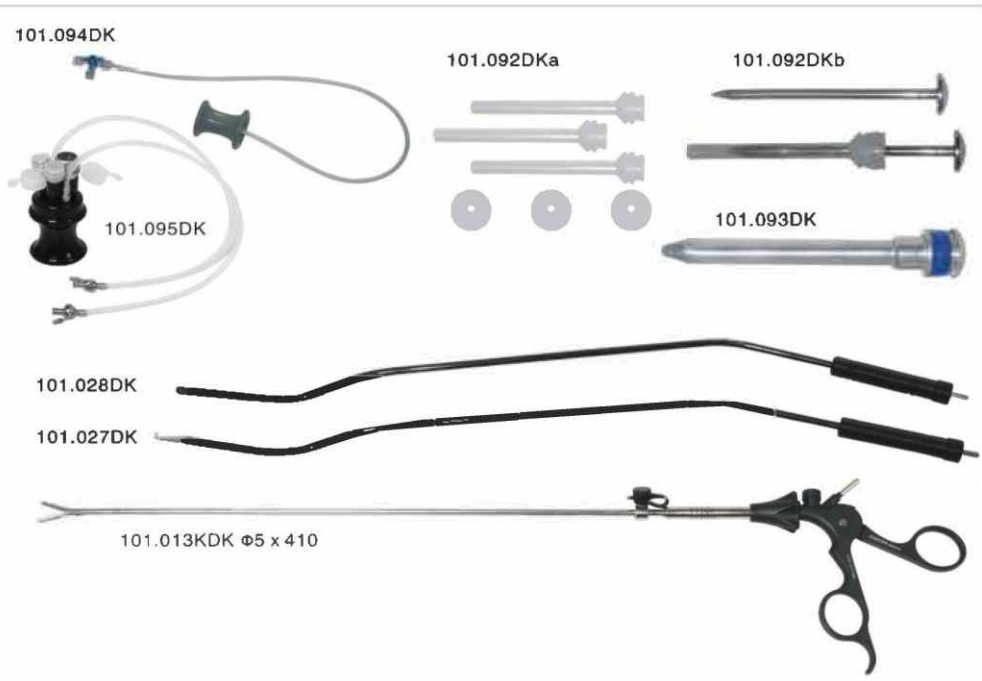
KE-101DK Single-hole(After umbilical)



KE-101DK Single-hole(After umbilical)



KE-101DK Single-hole(After umbilical)



KE-201C

201.047 Apparatus



KE-102 Miniature instruments for Laparoscopic surgery



CODE	NAME	SPECIFICATION	QUANTITY
102.001	Clip applicator	φ 0X390	1
102.002	Grasping forceps	φ 2.5X280	1
102.004	Punch grasping forceps	φ 2.5X280	1
102.005	Grasping forceps(retrograde teeth)	φ 2.5X280	1
102.009	Pylorus-forceps	φ 2.5X280	1
102.010	Scissors(single-action curved)	φ 2.5X280	1
102.019	Scissors(single-action straight)	φ 2.5X280	1
102.011	Pylorus incision-awls	φ 2.5X280	1
102.012	Dissecting forceps(curved)	φ 2.5X280	1
102.013	Dissecting forceps(straight)	φ 2.5X280	1
102.014	Trocar	φ 3X285	1
102.015	Suction & irrigation tube	φ 2.5X280	1
102.016	Hook- electrode	φ 2.5X280	1
102.017	Balloon-electrode	φ 2.5X280	1
102.018	Sphenoid-electrode	φ 2.5X280	1
102.059	Harris needle	φ 2.5X150	1
102.060	Harris forceps	φ 2X180	1
102.061	Grasping forceps(blunt)	φ 2.5X280	1
102.062	Grasping forceps(V)	φ 2.5X280	1
102.063	Laparoscope	φ 5X315	1

KE-103 Instruments for small Incision operation



CODE	NAME	SPECIFICATION	QUANTITY
103.001	Clip applicator	φ 10X210	1
103.002	Sloopy forceps	φ 10X210	1
103.003	Scissors(straight)	φ 5X210	1
103.004	Scissors(curved)	φ 5X210	1
103.005	Hook scissors	φ 5X210	1
103.006	Dissecting forceps(straight)	φ 5X210	1
103.007	Dissecting forceps(curved)	φ 5X210	1
103.008	Dissecting forceps(90°)	φ 5X210	1
103.009	Forceps	φ 5X210	1
103.011	Hook(L-shaped)	φ 5X210	2
103.012	Hook(S-shaped)	φ 5X210	2
103.013	Movable retractor	φ 5X210	1
103.014	Suction & irrigation tube	φ 5X210	1
KE-001B	Fiber optic light cable	φ 4X2000	1
103.016	Hook- electrode	φ 5X210	1
103.017	Balloon-electrode	φ 5X210	1
103.020A	Knob-pusher	φ 5X210	1
103.021	Needle-holder forceps	φ 5X210	1

KE-104 Instruments for thoracoscopic surgery

CODE	NAME	SPECIFICATION	QUANTITY
101.001	Clip applicator (new)	Ø 10X330	1
101.076A	Lung tube forceps	Ø 10X330	1
104.003	Fastress forceps(thick tooth)	Ø 10X330	1
104.004	Broadness mouth forceps	Ø 10X330	1
101.067A	Pentelaber fan-shaped forceps	Ø 10X330	1
104.006	Altraumatic forceps	Ø 10X330	1
104.007	Clasping forceps (long-jaw)	Ø 10X330	1
101.006	Biopsy forceps	Ø 10X330	1
104.009	Duck-jaw forceps	Ø 10X330	1
201.021	Bill dust needle	Ø 5X330	1
102.0208	Knob Pusher	Ø 5X330	1
101.045A	Claw forceps	Ø 5X330	1
101.043B	Claw forceps	Ø 5X330	1
101.017	Scissors(double-action straight)	Ø 5X330	1
101.019	Scissors(double-action curved)	Ø 5X330	1
101.022	Hook scissors	Ø 5X330	1
101.012	Dissecting forceps(straight)	Ø 5X330	1
101.013	Dissecting forceps(curved)	Ø 5X330	1
101.011B	Dissecting forceps(90°)	Ø 5X330	1
101.027	Hook- electrode	Ø 5X330	1
101.028	Bipolar-electrode	Ø 5X330	1
101.029	Knife-electrode	Ø 5X330	1
101.030	Spatula-electrode	Ø 5X330	1
101.031	Needle-electrode	Ø 5X330	1
104.024	Trocar	Ø 8.5	1
104.025	Trocar	Ø 8.5	1
104.026	Trocar	Ø 10.5	1
104.027	Trocar	Ø 12.5	1
104.031A	Irrigation tube	Ø 10X330	1
104.031B	Irrigation tube	Ø 10X330	1
104.032	Lymph forceps	Ø 5X330	1
101.057		Ø 5X330	1

KE-106 Thyroid operating instruments

CODE	NAME	SPECIFICATION	QUANTITY
101.019	Scissors(double-action curved)	Ø 5X330	1
101.013	Dissecting forceps(curved)	Ø 5X330	1
106.005	Trocar	Ø 10.5X125	1
106.004	Trocar	Ø 8.5X125	1
101.071A	Reducer	Ø 10'Ø 6	1
101.026	Needle-holder forceps(restoration)	Ø 5X330	1
106.007	Stripper	Ø 5X400	1
106.008	Injection needle	Ø 2.5X400	1
106.009	Thyroid dissecting	Ø 10X400	1
106.010	Stripper(curved)	Ø 5X400	1
106.011	Hook	Ø 3X250	2
101.068	suction & irrigation tube	Ø 5X330	1

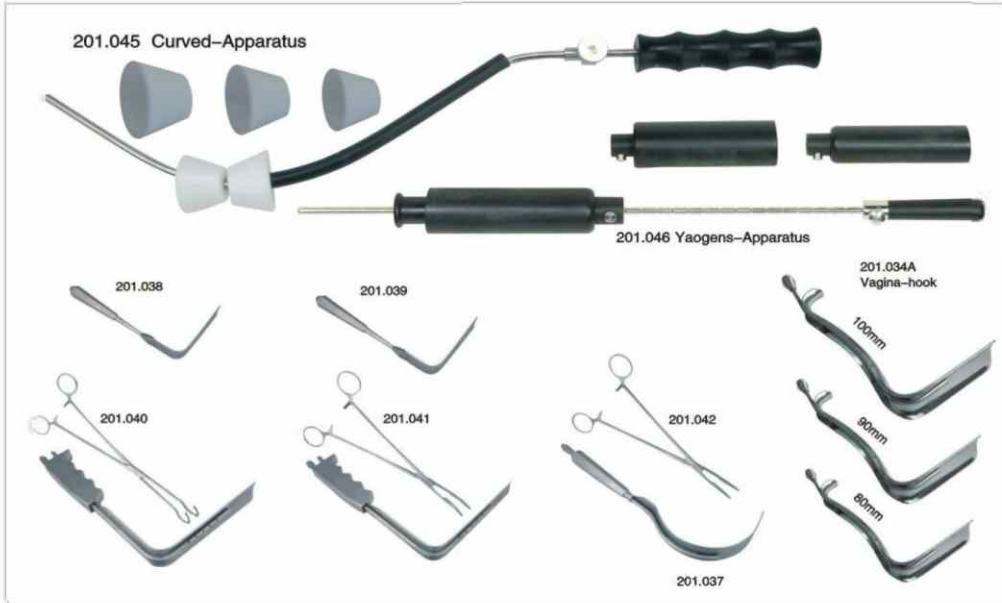
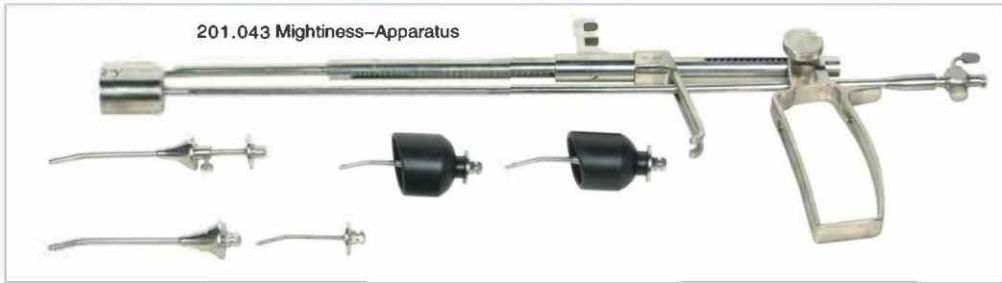
KE-107 Instruments of Biliary tract fetch

CODE	NAME	SPECIFICATION	QUANTITY
107.001	Vein forceps	Ø 10X330	1
107.002	Vein interfection forceps	Ø 10X330	1
107.003	Biliary tract fetch forceps	Ø 5X330	1
107.004	Trocar(hose)	Ø 12X95	1

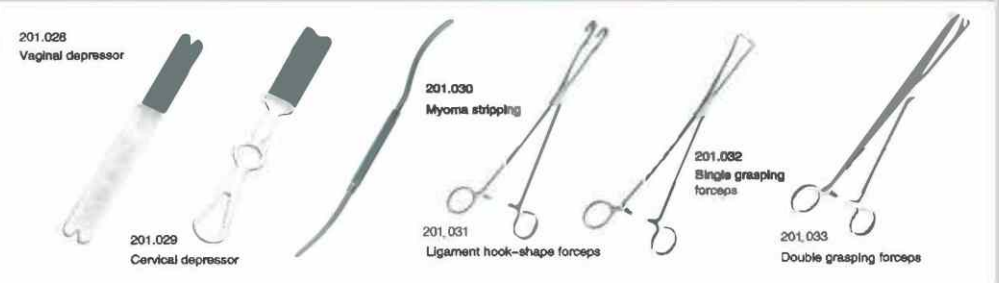
KE-201A Electric uterus-cutter

CODE	NAME	SPECIFICATION	QUANTITY
201.001	Controler		1
201.002	Motor with Handpiece		1
201.003	Grasping forceps(large)	Ø 10X420	1
201.004	Grasping forceps(small)	Ø 8X95	1
201.005	Trocar sleeve	Ø 18X95	1
201.006	Trocar sleeve	Ø 15X95	1
201.007	Diator	Ø 15-Ø 18	1
201.008	Diator	Ø 15-Ø 15	1
201.009	Guide probe	Ø 10X330	1
201.010	Reducer	Ø 18'Ø 10	1
201.011	Reducer	Ø 15'Ø 10	1
201.012	Morcellator blades	Ø 15X330	1
201.013	Morcellator blades	Ø 15X330	1
201.014	Morcellator blades(cavity)	Ø 15X330	1
201.015	Morcellator blades(cavity)	Ø 15X330	1
201.016	Ligator	Ø 5X330	1
201.017	Hysteromyoma bodkin	Ø 10X450	1
201.018	Womb measuring probe	Ø 5X300	1
201.019	Palpation probe	Ø 10X400	1
201.020	Cervix forceps(adjustable)	250	1
201.021	Transfix needle	Ø 5X330	1
KE-102	Sealing cap		10
201.022	Morcellator blades	Ø 10X330	1
201.023	Morcellator blades(cavity)	Ø 10X330	1
201.024	Agonathus	400	1
201.025	Covix forceps		1
201.026	Hysteromyoma bodkin	Ø 5X420	1
201.027	Palpation probe	Ø 5X420	1

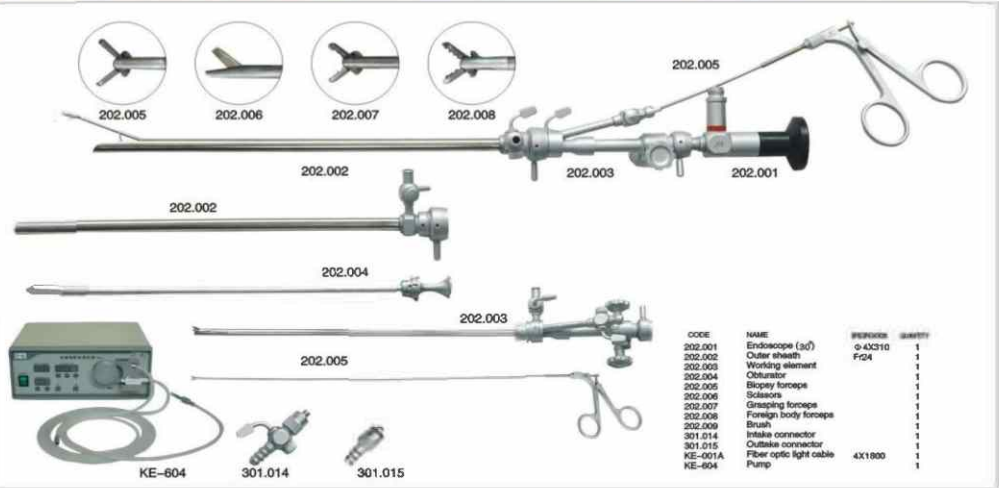
KE-201C Instrument of Gynaecology Laparoscope



KE-201B Uterus-cutter(process vagina)



KE-202 Hysteroscope



KE-203 Cavitas inspectoscope



KE-204 Hystero Resectoscope

CODE	NAME	SPERATOR	QUANTITY
204.001	Endoscope	Φ 4X310	1
204.002	Inner sheath	3600 3600	1
204.003	Outer sheath		1
204.004	Obstructor		1
204.005	Working element	雙端式	1
204.006	Cutting loop		4
204.007	Roller electrode		2
204.008	Ring electrode		2
204.009	Demasser-roller electrode	500W	4
KE-607	Hyperator		1
301.014	Intake connector		1
301.015	Outtake connector		1
KE-001A	Fiber optic light cable		1

KE-301 Cysto-Urethroscope

CODE	NAME	SPERATOR	QUANTITY
301.001	Endoscope 0°	Φ 4X302	
301.002	Endoscope 30°	Φ 4X302	
301.003	Endoscope 70°	Φ 4X302	
301.004	Working handle		
301.005	Sheath	Φ 18.5X230	
301.006	Sheath	Φ 21X230	
301.007	Sheath	Φ 23X230	
301.008	Endoscope bridge		
301.010	Flexible biopsy forceps	Φ 2.3X400	
301.011	Flexible grasping forceps	Φ 2.3X401	
301.012	Flexible foreign forceps	Φ 2.3X402	
301.013	Flexible scissors	Φ 2.3X403	
301.014	Intake connector		
301.015	Outtake connector		
301.016	Cleaning stick		
301.017	Fiber optic light cable	Φ 4X1800	
KE-001A	Sealing cap		

KE-304 Lithotripsy

CODE	NAME	SPERATOR
304.001	Endoscope 70°	Φ 4
304.002	Lithoclast	
301.014	Intake connector	
301.015	Outtake connector	
301.006	Sheath	Φ 19.5X230
304.004	Working handle	
304.005	Intake connector	
301.014	Outtake connector	
301.015	Fiber optic light cable	Φ 4X1800

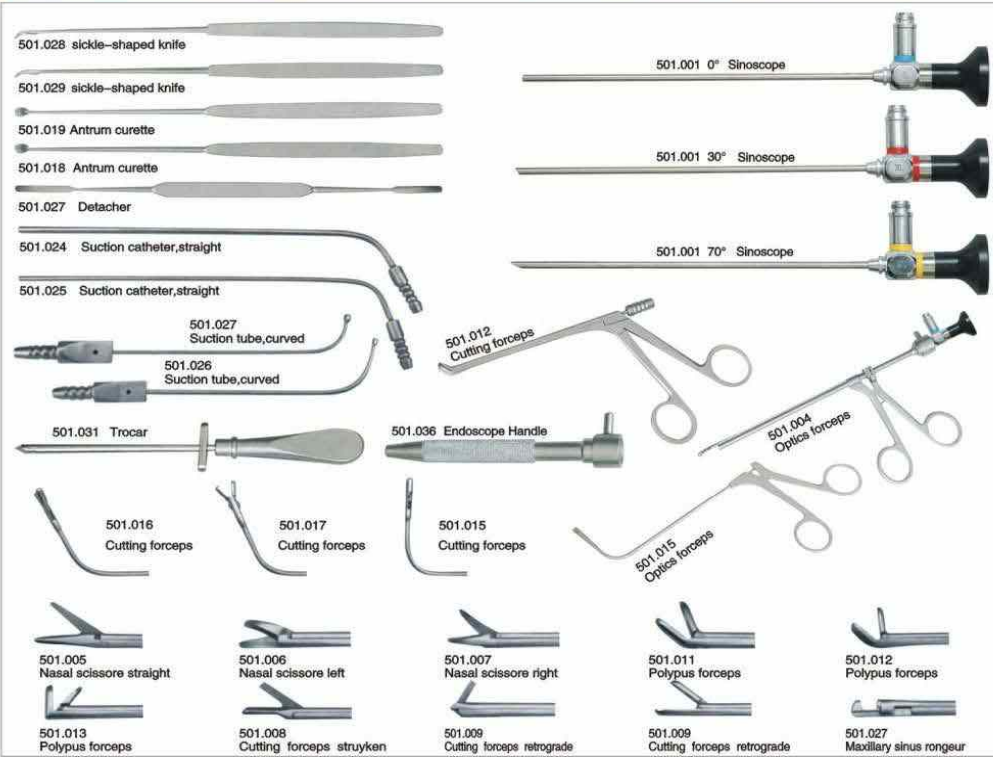
KE-305 Urethrotome Telescope

CODE	NAME	SPERATOR
305.001	Endoscope 12°	Φ 4X302
305.002	Working handle	
305.003	Sheath	
305.004	Adapter	
305.005	Lance blade	
305.006	Half-moon blade	
305.007	Circle-shaped blade	
301.014	Intake connector	
301.015	Outtake connector	
KE-001A	Fiber optic light cable	Φ 4X1800

KE-037 Instrument of foreskin ring ligator

CODE	NAME
307.001	Diagonal cutting forceps
307.002	Inside diameter fixed forceps
307.003	outside diameter fixed forceps
307.004	scissors
307.005	flat cutting forceps
307.006	concaud out-ring fixed forceps
307.007	ring

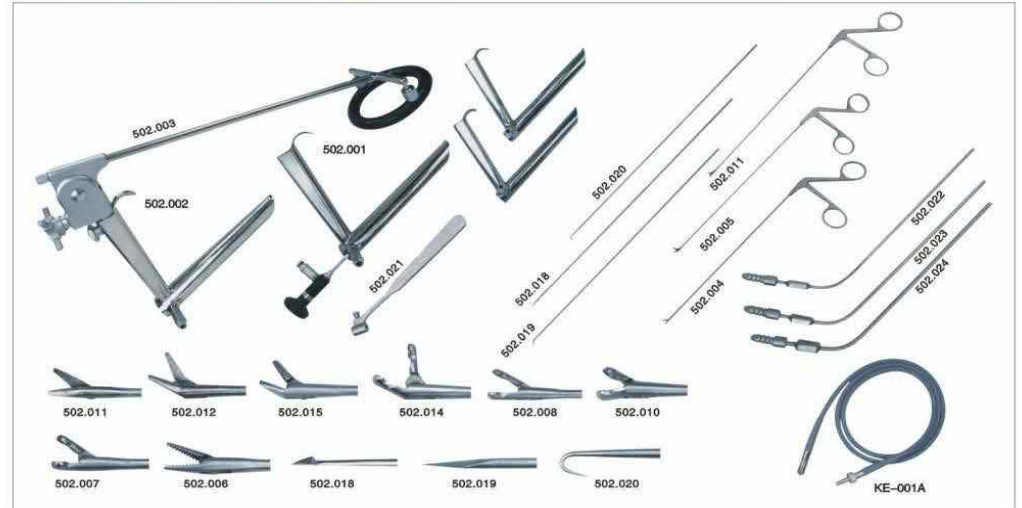
KE-501 Sinoscope



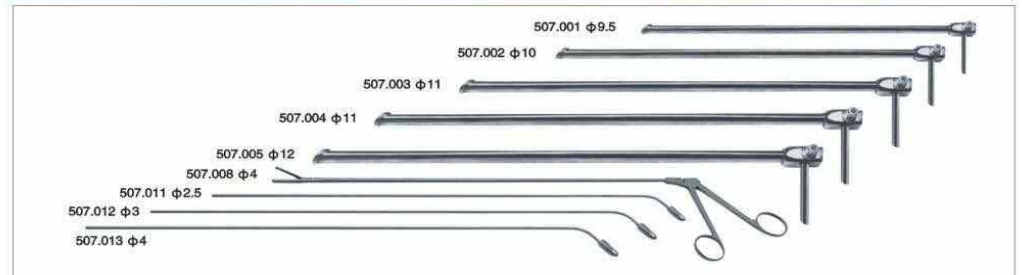
KE-503 Nose electric-drill



KE-502 Hold Laryngoscope



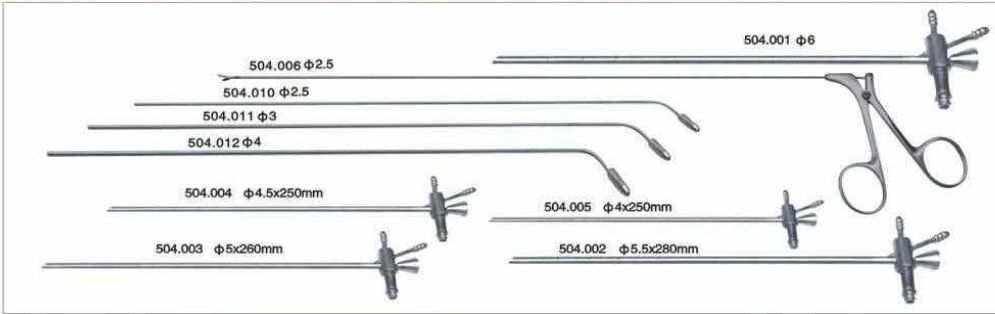
KE-506 Esophagoscope instruments



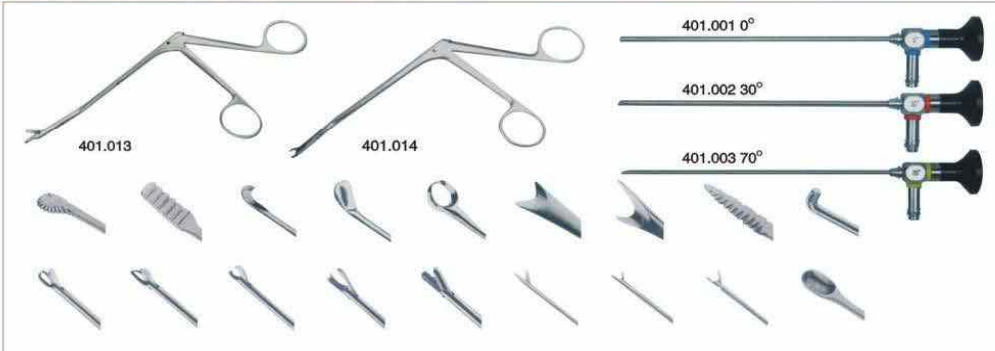
KE-505 Otoscope Instruments



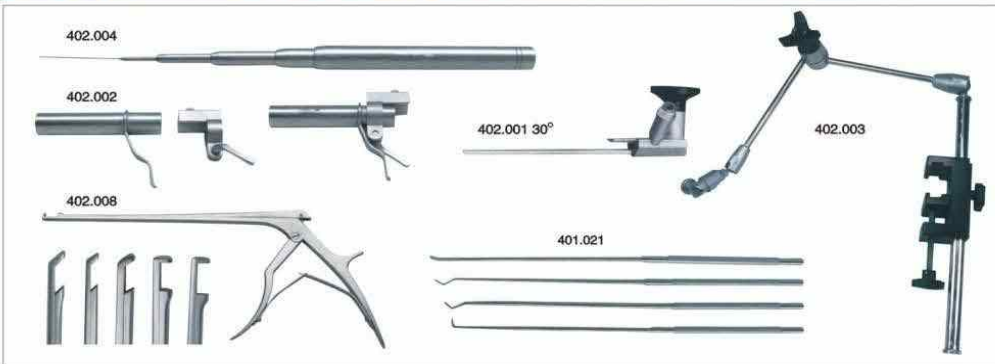
KE-504 Pediatric Bronchoscopy sets



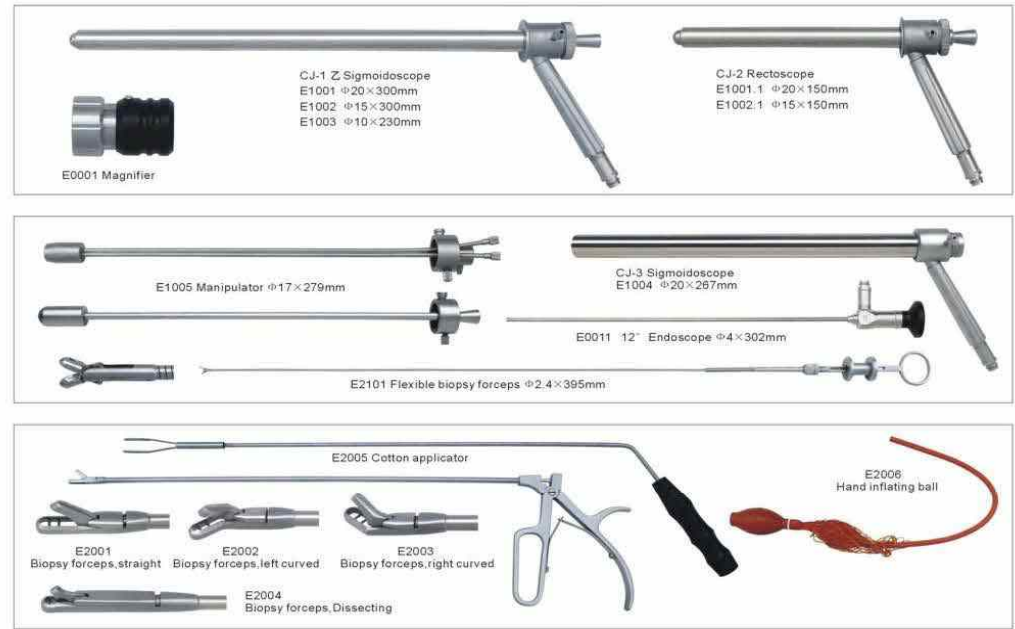
KE-401 Arthroscope



KE-402 Endoscopic Discectomy system



Sigmoidoscope



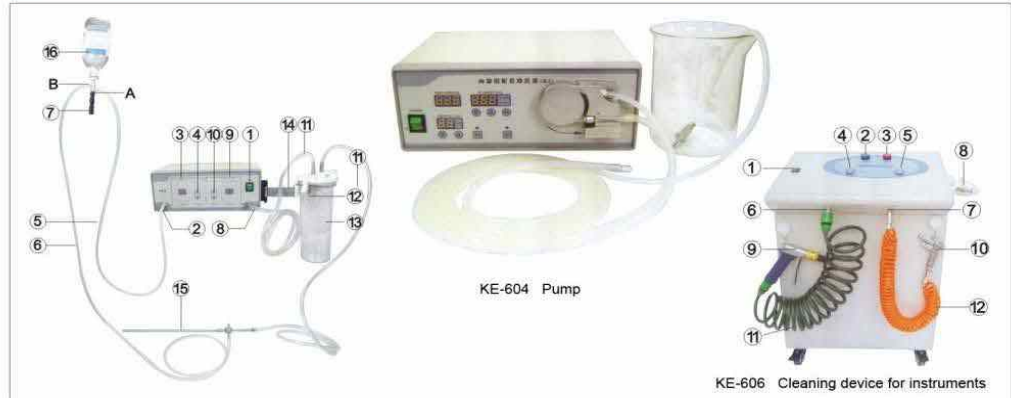
KE-601 Endoscope display systems



Other equipment



KE-603 Suction & Irrigation apparatus



Suction cutter

- X100-1 Suction cutter JRX-I
- X100-2 Suction cutter JRX-I



	X100-01 Handle		X100-02 Handle
	X100-03 Spherical cutter		X100-04 Serration cutter
	X100-05 Serration cutter		X100-06 Smooth cutter
	X100-07 Crooked cutter		X100-08 Tread switch

CC-A MULTIFUNCTION OBSTETRIC TABLE

CC-A Type CC-A

Both the body table and leg table are movable lockable.



CC-A multifunctional obstetric table is designed for gynecological inspection, diagnosis and operation, and is a special chair for delivery as well. The board width makes possible to accommodate both mother and newborn baby so that a good nursing can be guaranteed. The movement of this chair is controlled manually. The new imported gas spring controls positions of body table, so it is easy to operate, convenient and safe. Lifting of body table and foot wheels is conducted through a hydraulic system and transversal valve, which could lessen work intensity of medical staff. Adjustment of leg table is driven by mechanical gearing. It is equipped with a lot of accessories, so it is a multi-functional obstetric table.

Main specification parameters

Item	Contents
Length of body table and foot table	1150mmX850mm
Adjustment range of back section	up 0-42° down 0-6°
Adjustment range of abdomen section	up 0-20° down 0-8°
Max. degree of forward and backward tilting of table	forward ≥8° backward ≥22°
Lowest height of body bed	640mm-880mm
Size of table board	body table 1150X650mm leg table 850X600mm

3004 MULTI-QURPOSE OBSTETRIC TABLE



Main specification parameters

Item	Contents	
Length and width of table	1800mm x 600mm	
Height adjustment range	Min 650mm x	Max 895mm
Sizes of sections		
Back section	600mm x 800mm	
Seat section	600mm x 400mm	
Leg section	540mm x 500mm	
Max. degree of back rest adjustment	up >75° down >6°	
Max. degree of forward and backward tilting of tabletop	forward >10°	backward >25°

78A MULTI-QURPOSE OBSTETRIC TABLE



Main specification parameters

Item	Contents
Length and width of table	2000mmX600mm
Height adjustment range	Min 700mm Max 940mm
Sizes of sections	
Back section	850mmX600mm
Seat section	400mmX600mm
Leg section	750mmX600mm
Max. degree of back rest adjustment	up >80° down >8°
Max lifting height of waist board	120mm
Height adjustment range	Min 700mm Max 940mm

78A obstetric table is suitable for delivery and various gynaecological surgeries. It has advantages such as multi-function, convenient manipulation, safe and reliability. The whole table is composed of the main bed and table-leg bed. Lifting of the main bed is controlled by hydraulic pump, and table-leg bed is gas spring.

DS-8 ELECTRIC MULTI-PURPOSE OBSTETRIC OPERATION TABLE

DS-8 / Type DS-8



DS-8 electric multi-purpose obstetric operation table is a kind of comprehensive operating table for delivery, gynecological surgery, diagnosis and examination. The table is equipped with mini-touch controllers to operate lifting, front and back inclining, upward and downward folding of back rest, and fixing and moving of base. It is easy to operate and convenient. Its key parts used imported electric machine with low noise and stable performance. Adjustment of leg table is driven by mechanical gearing. It is equipped with a lot of accessories, so it is a multi-functional obstetric table.

Main specification parameters

Item	Contents
Length and width of table	Main bed 1150mmX650mm leg table 850mmX600mm
Max.&min.Height of tabletop	900mm x600mm
Max.degree of forward and backward tilting of table	forward ≥10° backward ≥25°
Max.degree of back rest adjustment	up ≥75° down ≥15°
Power supply	~220V 50Hz 1.0Kw

DS-3004(CHECK TYPE)ELECTRIC MULTI-PURPOSE OBSTETRIC TABLE

DS-3004 / DS-3004(Check type)



DS-3004 (Check type) electric multi-purpose obstetric table is powered by electric lead screws. It is very convenient to control the up-and-down movement of table and the adjustment of the tilt angle between back rest and seat rest by foot(or manual)switch.

If want to make check the bed move, it is only to loosen slightly the tight device of bottom four feet and tight slightly feet after moving to the needed position. Foot mattress is an additional device which can be put on or off conveniently according to the surgical needs.

Main specification parameters

Item	Contents
Length and width of table	1900mm x 600mm
Height adjustment range	Max ≥900mm Min ≤500mm
Max.degree of back rest adjustment	-15° -70°
The maximal rotation angle of dicky	-10° -25°
Power supply	220V 50HZ 110VA

MODEL DS-3004 ELECTRIC MULTI-PURPOSE OBSTETRIC TABLE

DS-3004 / multi-purpose obstetric table



DS-3004 multi-purpose obstetric table is designed for delivery, abortion and gynecological examination. Lifting of the bed and back rest and front and back inclining of table are controlled by advanced electric push rod and foot switch. The fix-movements of base is controlled by foot pedal.

Main specification parameters

Item	Contents
Length and width of table	1900mm x 600mm
Height adjustment range	Min 650mm x Max 895mm
Sizes of sections	
Back section	600mm x 800mm
Seat section	600mm x 400mm
Leg section	600mmX600mm
Max.degree of back rest adjustment	up >75° down >6°

MULTI-PURPOSE OBSTETRIC TABLE

DS-3004A



3004



FS COMMON OBSTETRIC TABLE



FS

The bed is used for delivery and various gynecological surgeries, as well as family planning. It can be used for parturients' delivery and surgery with various postures by appropriate operation. One of its characteristics is multi-function. It has adopted separation form of main bed and leg bed in the structure. So when moving the parts of leg bed, it is greatly convenient for doctors to operate surgery. Back section and seat section are controlled by hand wheel and handle. It is easy to operate, reliable and stable, so it is the ideal, necessary gynecological instrument for various hospitals.

Main specification parameters

Item	Contents
Length and width of table	1950mmX600X800mm(Height)
Sizes of sections	
Back section	750mmX600mm
Seat section	400mmX600mm
Leg section	750mmX600mm
Max.degree of back rest adjustment	up ≥60° down ≥8°
Max.degree of seat section adjustment	up ≥25° down ≥8°

FS-B Stainless Steel Gynecologic Examination Bed

Main specification parameters

Item	Contents
Length and width of table	1400mmX800mmX570mm(Width)
Max.degree of back rest adjustment	down ≥18°



DT-2A(TRANSLATIONAL TYPE)MULTIPURPOSE OPERATION TABLE



- The controller device lock key protecting from misoperation..
- The Table is made of penetrated X-ray material. There is cassette guide rail under the table which make radiography.
- The table is fixed a button which can control the electric wheel to draw in and put out so that the table can be pulled easily.
- Accessories and Guide rail are made of stainless steel, polyurethane etc material.
- The main accessory hydraulic pump and electromagnetic valve are made of imported component from Taiwan.
- The mattress is made of foam polyurethane , acid and alkali resistance , high temperature resistance and easy clean.
- The head board and leg board are adopted special imported gas-spring from Germany . it is convenient to operate.

Main specification parameters

Length and width of table	2000mm x 480mm
Max. &Min. Height of table	930mm x 690mm
Max. degree of forward and backward tilting of table	forward $\geq 25^\circ$ backward $\geq 20^\circ$
Max. degree of left and right tilting of table	left $\geq 18^\circ$ right $\geq 18^\circ$
Range of leg rest adjustment	down $\geq 90^\circ$ detachable
Range of back rest adjustment	up $\geq 75^\circ$ down $\geq 10^\circ$
Range of head rest adjustment	up $\geq 45^\circ$ down $\geq 50^\circ$ detachable
Elevating height of kidney bridge	≥ 80 mm

DT-2A



DT-12C ELECTRIC OPERATING TABLE



- The bedstead is made of aluminium alloy.
- The accessories , base shell and column shell all are made of stainless steel.
- The main accessory hydraulic pump and electromagnetic valve are adopted imported component
- The tabletop is made of Paper plywood (double -layer), there is a film-frame in the interlayer, it is convenient to Move the radiography Position.
- The leg board can be forked and abducted 180° , folded down 90° . It is suitable for urinary , obstetrics and Gynecology surgery

Main specification parameters

Item	Contents
Length and width of table	2050mmX480mm
Max. &Min. Height of table	950mmX700mm
Max. degree of forward and backward tilting of table	forward $\geq 20^\circ$ backward $\geq 20^\circ$
Max. degree of left and right tilting of table	left $\geq 18^\circ$ right $\geq 18^\circ$
Range of back rest adjustment	up $\geq 75^\circ$ down $\geq 20^\circ$
Max. degree of leg rest adjustment	$\geq 90^\circ$ abduction 180°
Range of head rest adjustment	up $\geq 75^\circ$ down $\geq 90^\circ$ detachable
waist board	≥ 120 mm
power	~220V 50Hz 1.0Kw

DT-12E ELECTRIC OPERATING TABLE



Right manipulation

- The table is equipped with microcomputer controller and safety lock key protecting from misoperation.
- Adjusted manipulability to the enough low place (the lowest height 550mm) so that doctor can sit to operate cerebral surgery ophthalmology.
- The Table can be moved longitudinally more than 300mm so that C arm X-ray can rotate freely to work ,and x-ray can make radiography vertically without dead angles.
- The Table is divided into five section : head board , shoulder board, back board , seat board and leg board.
- The Table is made of penetrated X-ray material. There is cassette guide rail under the table which make radiography.
- Equipped with shoulder-back composited bending button on the table, which will be convenient for kidney surgery and Gallbladder surgery.
- The table is fixed a button which can control the electric wheel to draw in and put out so that the table can be pulled easily.
- Accessories and Guide rail are made of stainless steel.
- The main accessory hydraulic pump and electromagnetic valve are made of imported component from Taiwan.
- Base shell is made of aluminum alloy and supporting base is made of stainless steel.
- The head board and leg board is adopted special gas-spring from Germany, it is convenient to operate.

DT-12E ELECTRIC OPERATING TABLE



Touch-sensitive display

Type DT-12E

It can be equipped with two independent electric hydraulic systems

- It adopts imported electric appliances and electric hydraulic system.
- The table is constructed with 5 movable parts, and suitable for all kinds of surgeries as well as special operative positions, and C arm X-ray inspection and radiography.
- It is equipped with X-ray rack and cassette specifically for C arm users.
- It is equipped with microcomputer controller and safety lock key protecting from mishandling. Set one-key restoration device.
- Unilateral column design and large space under table have given adequate space to install C arm X-ray apparatus and other device.
- Steering control switch and universal steering wheel make the table move and rotate free when needed.
- Removable and assemble head board and leg plate which can be forked and lengthened.
- Generous, nice looking and humanization design make clinicians stable gravity centre and decrease fatigue stress during operation.
- Shell is made of stainless steel. Mattress is made using new technology and new materials, so it has many advantages such as easy clean, acid and alkali resistance, anti-bacterial, impact, comfortable and beautiful.

DT-12F ELECTRIC OPERATING TABLE



- The mattress is made of foam polyurethane, acid and alkali resistance, high temperature resistance and easy clean.
- The double-layer tabletop is suit for X-ray examination when you operate. The leg board can be abducted 180°, folded 90° and detached.
- The wheels adjustment, table height adjustment, forward and backward tilting left and right tilting, back board folded are all controlled by linear motor. It's convenient and safe.
- Accessories, guide rail, base shell and column shell all are made of stainless steel. The table is equipped Auto-Charge device; It can keep the table being used when emergency power shuts off.

DT-12F



LUXURY MULTIFUNCTIONAL OPERATING TABLE

1088



3008H 3008H LUXURY MULTIFUNCTIONAL OPERATING TABLE

- The bedstead, accessories, guide rail, base shell and column shell all are made of stainless steel, and antistatic finish as well.
- Back board and leg board are controlled by imported gas spring from Germany.
- The mattress is made of foam polyurethane, it has many advantages such as Easy clean, acid and alkali resistance, high-Temperature resistance



3001 SIDE OPERATING UNIVERSAL TABLE

The operating table is supplied for thoracic surgery, abdominal surgery, ophthalmology, otorhinolaryngology, obstetrics and gynecology, urinary surgery and orthopaedics.
Lifting of this operating table is controlled by foot oil pump, and the rest of the movements are controlled by mechanical transmission side manipulation.

Main specification parameters

Length and width of table	2100mm x 480mm
Max. & Min. Height of table	1045mm x 800mm
Max. degree of forward and backward tilting of table	forward $\geq 35^\circ$ backward $\geq 20^\circ$
Max. degree of left and right tilting of table	left $\geq 22^\circ$ right $\geq 22^\circ$
Oil pump travel	240mm
Head board (275x310mm)	It can be folded for 90 degree, elongated or unloaded.
Back board (500x480mm)	down $\geq 22^\circ$, up 75°
Kidney bridge (85x415mm)	It can be increased up to 120mm, or equal to the table surface.
Leg plate (500x480mm)	down $\geq 90^\circ$
Seat section (450x480mm)	There is a round hole between seat rest and leg rest.



TYPE3001



3001-1



HEAD OPERATING UNIVERSAL TABLE

The operating table is supplied for thoracic surgery, abdominal surgery, ophthalmology, otorhinolaryngology, obstetrics and gynecology, urinary surgery and orthopaedics.
The rise and drop of operating table was handled by pedaling the oil pump, other various movements were handled by the mechanical transmission head.



3008D foreed leg plate



3008TYPE



3008A TYPE

Base shell made of stainless steel
Additional film-frame

3008B TYPE

Base, shell and bed surface made of stainless steel
Additional film-frame

Main specification parameters

Item	Contents
Length and width of table	2100mm x 480mm
Max. & Min. Height of table	1045mm x 800mm
Max. degree of forward and backward tilting of table	forward $\geq 55^\circ$ back ward $\geq 35^\circ$
Max. degree of left and right tilting of table	left $\geq 25^\circ$ right $\geq 25^\circ$
Max. degree of back rest adjustment	up $\geq 85^\circ$ down $\geq 10^\circ$
Waist rest elevation	120mm
Leg rest adjustment	down $\geq 90^\circ$
Oil pump travel	240mm
Head rest (275mmX310mm)	It can be folded for 90 degree, elongated or unloaded.

JT-2A, JT-2A(TRANSLATIONAL TYPE)MULTI-PURPOSE OPERATION TABLE



Type JT-2A

This multi-functional operating table is used for operations and examination of thoracic surgery, abdominal surgery, orthopaedics, cerebral surgery, ophthalmology, otorhinolaryngology, obstetrics and gynecology and urinary surgery. There is a shelf fixed under the table. Cassette is put on the shelf and adjusted to the radiography position, then X-ray radiography is taken. The mattress is made of foam polyurethane. The bottom seat is movable and can be locked. Using the imported air-spring, the table has got the best position for clinical uses with its unique electric hydropneumatic technology and is convenient to operate, so it is helpful to improve operation efficiency of doctors.

Main specification parameters

Item	Contents
Length and width of table	1960mmX480mm
Max. &Min. Height of table	930mmX690mm
Max. degree of forward and backward tilting of table	forward $\geq 25^\circ$ backward $\geq 20^\circ$
Max. degree of left and right tilting of table	left $\geq 18^\circ$ right $\geq 18^\circ$
Range of leg rest adjustment	down $\geq 90^\circ$ detachable
Range of back rest adjustment	up $\geq 75^\circ$ down $\geq 10^\circ$
Range of head rest adjustment	up $\geq 45^\circ$ down $\geq 50^\circ$ detachable
Elevating height of kidney bridge	≥ 80 mm

JT-2A



PT ORDINARY OPERATION TABLE



PT ORDINARY OPERATION TABLE



PT Ordinary Operation Table

The operating table is supplied for head surgery, neck surgery, thoracic surgery, abdominal surgery, vulvar surgery and limbs surgery as well as obstetrics and gynecology, ophthalmology, otorhinolaryngology and orthopaedics.

Main specification parameters

Item	Contents
Length and width of table	2000mmX480mm
Height adjustment range	Min ≤ 800 mm Lifting height ≥ 250 mm
Leg rest	down $\geq 90^\circ$
Back rest	up $\geq 90^\circ$ down $\geq 20^\circ$
Kidney bridge	Lifting height ≥ 120 mm
Head rest	up $\geq 45^\circ$ down $\geq 90^\circ$

The operating table is supplied for head surgery, neck surgery, thoracic surgery, abdominal surgery, vulvar surgery and limbs surgery as well as obstetrics and gynecology, ophthalmology, otorhinolaryngology and orthopaedics.

